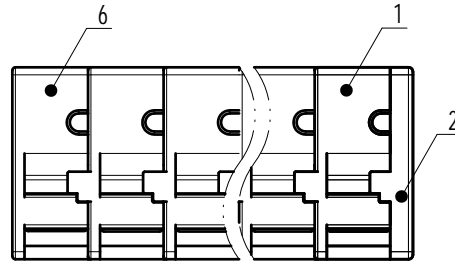
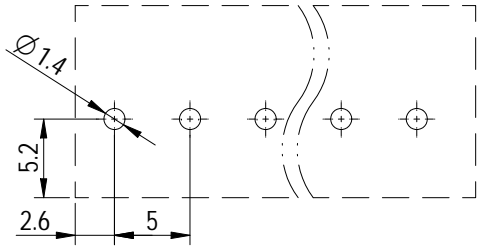
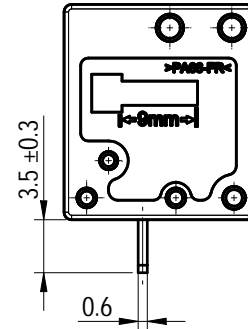
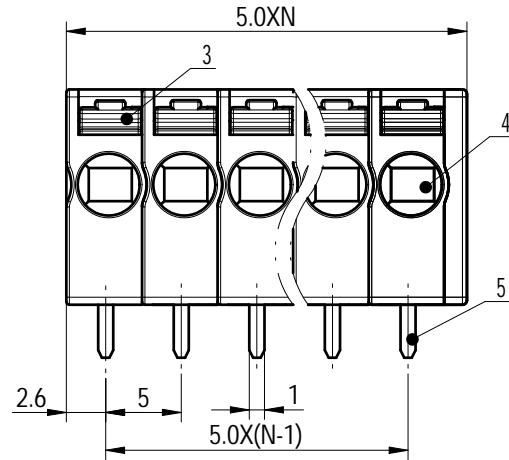
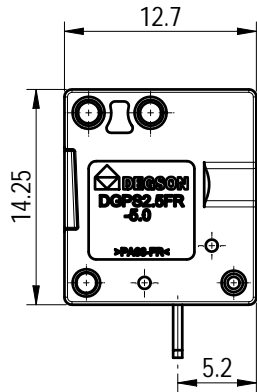
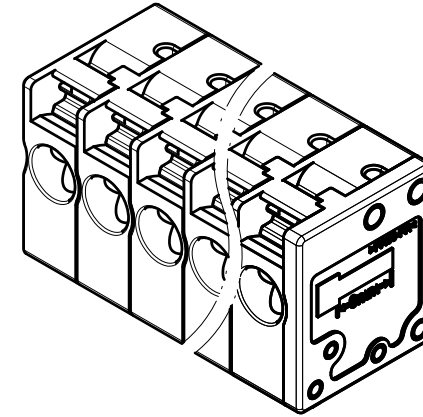


PCB LAYOUT



未注公差/General tolerances (mm)													0.1/10	
0 ~ 3	>3 ~ 6	>6 ~ 10	>10 ~ 18	>18 ~ 30	>30 ~ 50	>50 ~ 80	>80 ~ 120	>120 ~ 180	>180 ~ 250	>250 ~ 315	>315 ~ 400	>400 ~ 500		>500
±0.12	±0.18	±0.22	±0.26	±0.31	±0.37	±0.57	±0.80	±0.93	±1.05	±1.15	±1.60	±2.20	±2.50	±2'



ITEM	NAME OF PART	MATERIAL	NOTES
6	Housing 2	Nylon	UL94V-0
5	Pin header	Copper	Sn Plated
4	Spring	Stainless Steel	/
3	Button	PPS	UL94V-0
2	Cover	Nylon	UL94V-0
1	Housing 1	Nylon	UL94V-0
UL 标准/UL Standard:			
额定电压/电流/Rated Voltage(V)/Current(A)		B	C D
		300/15	/ 300/10
IEC 标准/IEC Standard:			
过压类别/Overvoltage Category/污染等级/Pollution Degree		III/3	III/2 II/2
额定电压/电流/Rated Voltage(V)/Current(A)		320/20	400/20 630/20
额定脉冲电压(KV)/Rate Impulse Voltage(KV)		4	4 4
线径范围(硬线和软线)/Wire Range(rigid and flexible)(AWG/mm²)		20~12/ 0.5~2.5	
间距/Pitch(mm)/线数范围/Poles		5.08/N=02~12P	
剥线长度/Stripping length(mm)		9~10	
使用温度范围/Operating temperature(°C)		-40~+105	
符合RoHS环保要求/Conform to RoHS		Yes	

		MATERIAL:		SURFACE/COLOR:	
APPD: 兰春华 2023.06.29		MAT NO./REV: / 00		MAT STATUS: 样品	
CHKD: 陈招 2023.06.29		NAME			
DRFT: 陈招 2023.06.29		DGPS2.5FR-5.0-XXP-1Y-00Z (H)			
DRAWING NO. 200197820		TYPE CUSTOMER DRAWING		DRAWING STATUS 已发布	
SCALE 2:1		SHEET 1/1			

REV	ECN	DESCRIPTION	DRFT	DATE
01			陈招	2023.06.29

Transfer or duplication of this document as well as the utilization or communication of its contents are prohibited unless explicit authorization is granted. Violations will be liable for compensation. All rights reserved for patent, utility model or design registrations. 除专利等明确授权外, 复制、引用、分发本文档内容, 或未经明确授权擅自使用, 均属于侵权行为, 侵权者将承担相关法律责任。 本公司保留国内或国外的所有权利。