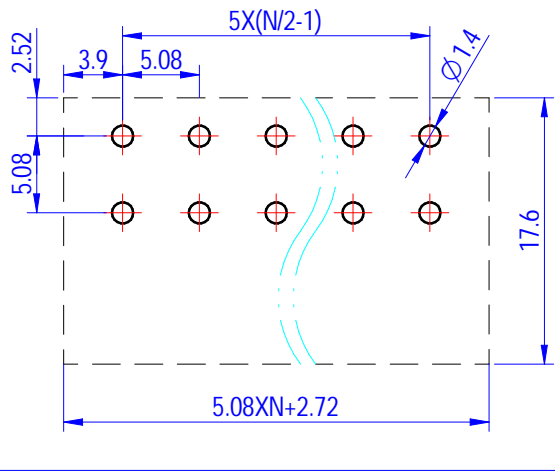
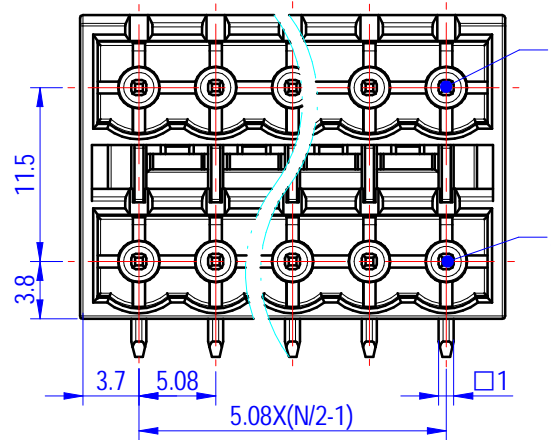
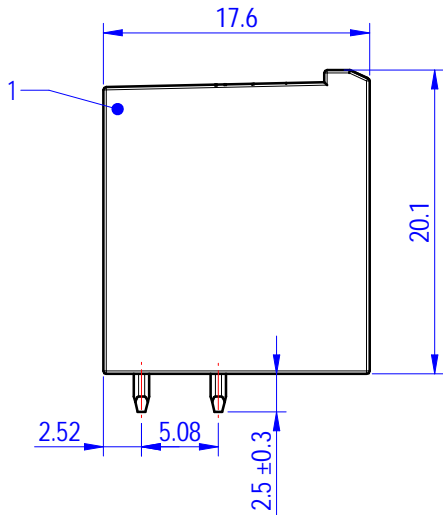
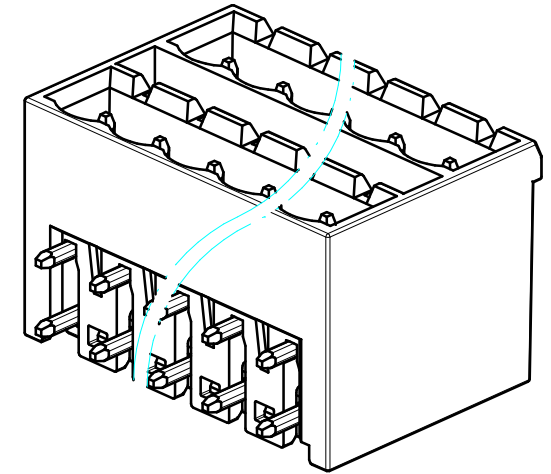
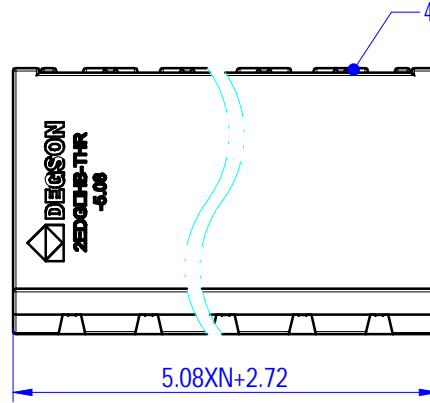


PCB LAYOUT



未注公差/General tolerances (mm)													0.1/10
0	>3	>6	>10	>18	>30	>50	>80	>120	>180	>250	>315	>400	
~3	~6	~10	~18	~30	~50	~80	~120	~180	~250	~315	~400	~500	
±0.12	±0.18	±0.22	±0.26	±0.31	±0.37	±0.57	±0.80	±0.93	±1.05	±1.15	±1.60	±2.20	±2.50



ITEM	NAME OF PART	MATERIAL	NOTES
4	Cover	Thermoplastic	UL94V-0
3	Pin2	Copper	Sn Plated
2	Pin1	Copper	Sn Plated
1	Housing	Thermoplastic	UL94V-0

UL 标准/UL Standard:		B	C	D
额定电压/电流/Rated Voltage(V)/Current(A)		300/15	/	300/10
IEC 标准/IEC Standard:				
过压类别/Overvoltage Category/污染等级/Pollution Degree		III/3	III/2	II/2
额定电压/电流/Rated Voltage(V)/Current(A)		250/12	320/12	630/12
额定脉冲电压(KV)/Rate Impulse Voltage(KV)		4	4	4
间距/Pitch(mm)/线数范围/Poles		5.08/N=04~48P		
使用温度范围/Operating temperature(°C)		-40~+120		
符合RoHS环保要求/Conform to RoHS		Yes		

		MATERIAL:	SURFACE/COLOR: PANTONE 419C		
		MAT NO./REV:	/ 00 MAT STATUS: 批量		
APPD: 兰春华	2023.10.24	NAME			
CHKD: 龚耀志	2023.10.23	2EDGRHB-THR-5.08-XXP-1Y-00Z (H)			
DRFT: 方哲盛	2023.10.23	DRAWING NO.	TYPE	DRAWING STATUS	SCALE
		200019999	CUSTOMER DRAWING	已发布	2:1
					SHEET 1/1

REV	ECN	DESCRIPTION	DRFT	DATE
00			方哲盛	2023.10.23

Transfer or duplication of this document as well as the utilization or communication of its contents are prohibited unless authorized in writing by Degson. All rights reserved for patent, utility model or design registrations. 除专利、实用新型、外观设计、发明专利、软件著作权、集成电路布图设计专有权、商标权、专利权、著作权等知识产权外，其他权利均归德松公司所有。