

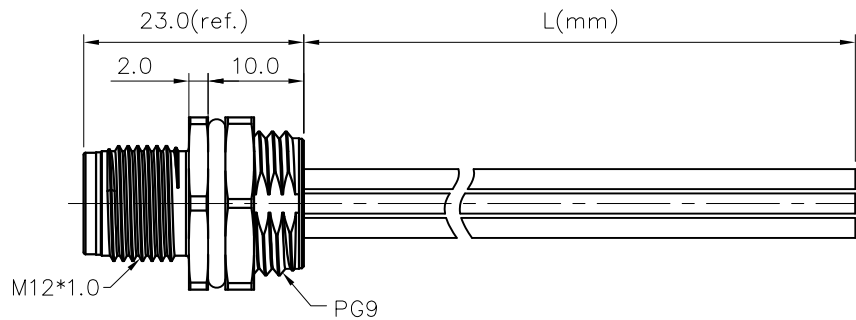
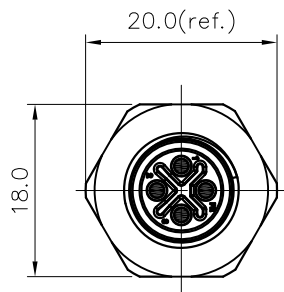
REVISION RECORD

REV	ECN	DESCRIPTION	DRFT	DATE
-----	-----	-------------	------	------

NOTES:

- Rated voltage/current : 3pin S: 630V / 12A  
4pin S: 630V / 12A
- Withstanding voltage : 3pin: AC3420V/1Min  
4pin: AC3420V/1Min
- Levels of protection: IP68
- Cable specifications :  
3pin S: 16AWG/1.5mm<sup>2</sup>, UL1015  
4pin S: 16AWG/1.5mm<sup>2</sup>, UL1015
- Wire connection mode: soldering
- Operating temperature: -25°C~+80°C
- For Panel Thickness Max: 4.5mm
- RoHS Compliance
- Tolerance :

.X	±0.25mm
.XX	±0.1mm
∠	±1°



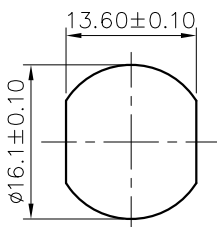
SD-M12S-XXP-MM-SH8XXX-00A(H)

Pin number: 03,04

Thread specification:  
A: PG9;  
B: M16\*1.5

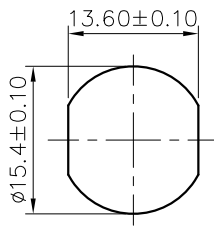
XX: 150~1500mm  
15: 150±15mm  
30: 300±20mm  
A0: 1000±40mm  
A5: 1500±40mm  
Wire Length L: 150~1500mm

Thread specification:  
M16\*1.5



Panel Mounted

Thread specification:  
PG9



Panel Mounted

3pin S Coding		4pin S Coding	
Pin Assignments Front View		Pin Assignments Front View	
PE	Yellow/Green	PE	Yellow/Green
3	Black 3	3	Black 3
1	Black 1	2	Black 2
1	Black 1	1	Black 1
Pin	Wire Color	Pin	Wire Color
Pin Out		Pin Out	

DETACHED LISTS	PART NO.: SDM12SXXPMMSH8XXX00AH		宁波高松电子有限公司 NINGBO DEGSON ELECTRICAL CO., LTD	
	APPD:		NAME: SD-M12S-XXP-MM-SH8XXX-00A(H)	
	CHKD:		TITLE: CUSTOMER DRAWING	
	DRFT: SQ 2019.05.17		REV	D0-1
	THIRD ANGLE PROJECTION		DRAWING NO.: XXXXXXXX-XX-CXX	SHEET 1/1
		DO NOT SCALE DRAWING	SCALE 1:1	