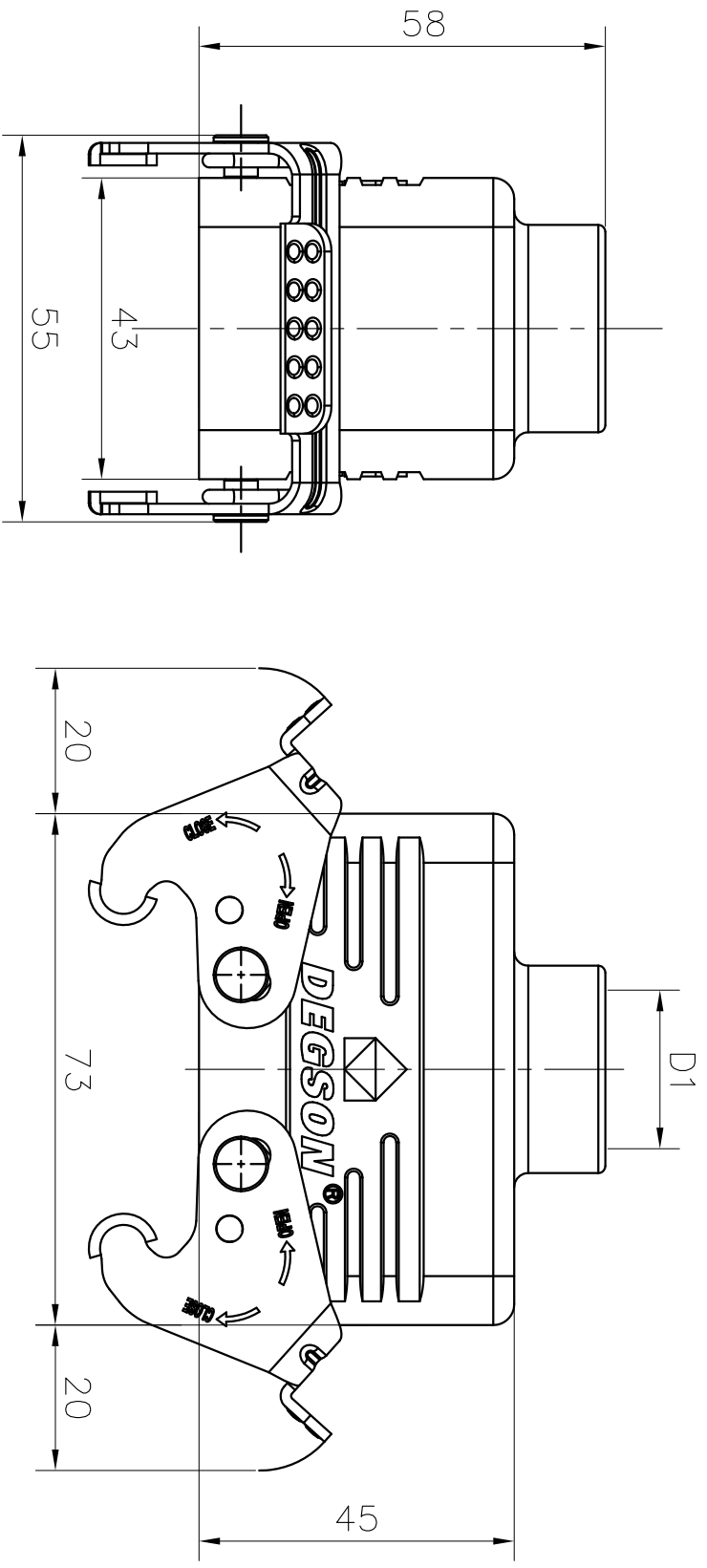


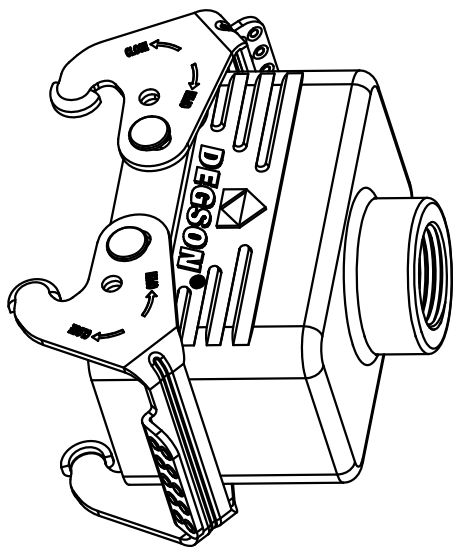
| TYPE | Thread(D1) | Selection |
|-----------------|------------|-----------|
| D10B-TF-2L-M20 | M20 | |
| D10B-TF-2L-M25 | M25 | |
| D10B-TF-2L-PG16 | PG16 | |

| REVISION RECORD | | | | |
|-----------------|-----|-------------|------|------|
| REV | ECN | DESCRIPTION | DRFT | DATE |
| | | | | |



Housings Feature

1. Material: aluminium die-cast
2. Surface: Powder-coated
3. Color: grey(RAL 7037)
4. Material: Metal (Lever)
5. Limiting temperatures: -40°C ~ +125°C
6. Flammability acc to UL94: V0
7. Degree of protection acc. to EN60529 for coupled connector : IP65
8. Rohs compliance



| DETACHED LISTS | | | |
|----------------|---------------------|--------------|---|
| PART NO.: | / | NAME: | DEGSON NINGBO DEGSON ELECTRICAL CO., LTD 宁波高松电子有限公司 |
| APPD.: | | | |
| CHKD.: | | | |
| DRFT: | Mr. yong 2017/06/28 | TITLE: | CUSTOMER DRAWING |
| | | DRAWING NO.: | |
| | | REV | DO-1 |
| | | SHEET | 1/1 |
| | | SCALE | 1:1 |

A 8 7 6 5 4 3 2 1