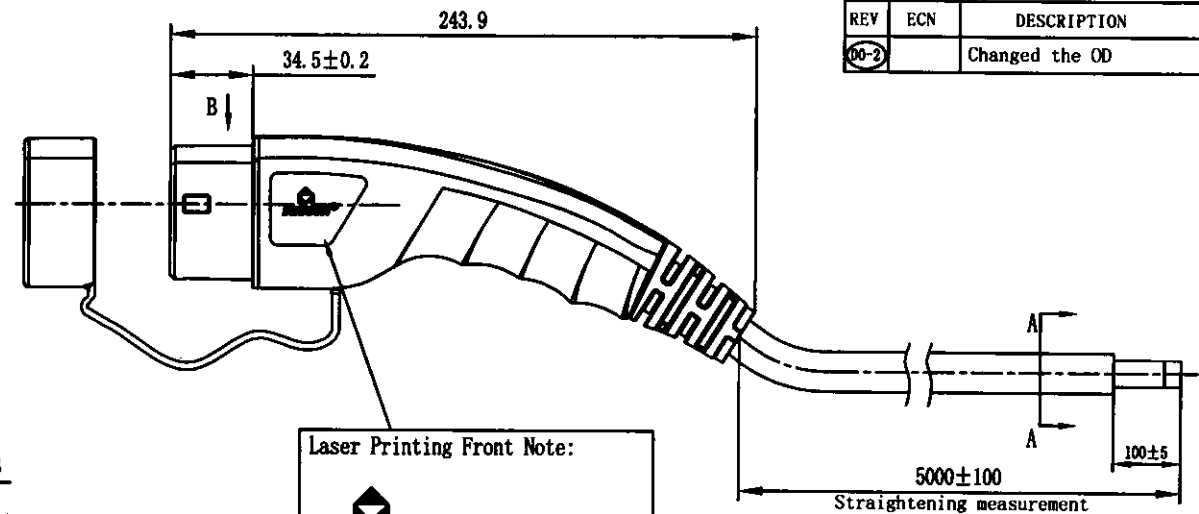
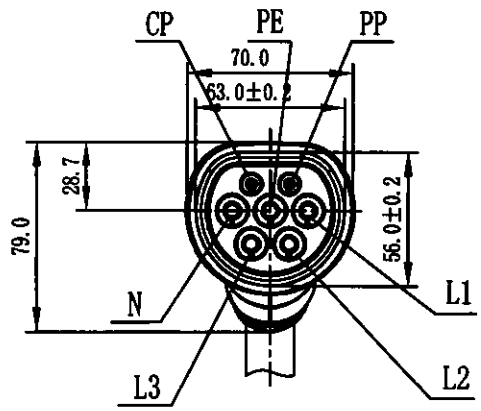
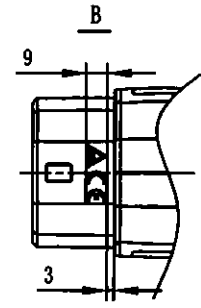
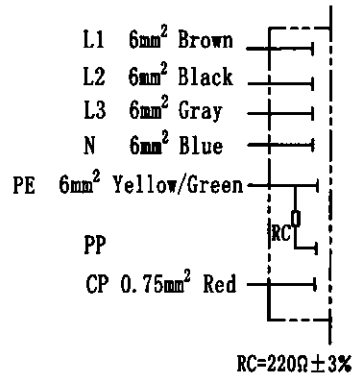


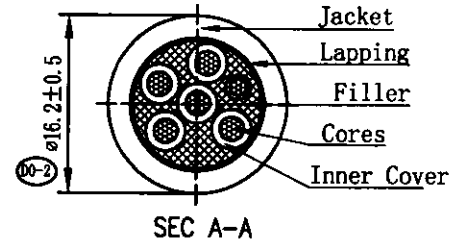
REVISION RECORD				
REV	ECN	DESCRIPTION	DRFT	DATE
00-2		Changed the OD	LLL	2020.04.17



Wiring diagram



Laser Printing Front Note:  
  
 Laser Printing Back Note(Arial) :  
 MEAC-T-032A-V1-03-5.0M-30AH  
 32A 440V AC  
 IEC 62196-2:2016  
 IP54  
 20x0000x-xxxx



NOTES:  
 1. Cable: EN50620-2017/IEC62893.3 5\*6mm²+1\*0.75mm² Black  
 2. RoHS Compliance

Technical parameters	
Rated voltage	440V AC
Rated current	32A
Temperature range	-30℃~+50℃
Insulate resistance	>5MΩ, 500V DC 1Min
Withstanding voltage	L, N AND PE, 2500V AC 1Min
	L AND N, 2500V AC 1Min
Ingress protection	IP54
The insertion/pullout times	10000 TIMES
Insertion/pullout force	<100N
Reference standard	IEC 62196-2:2016

Customer Drawing

Size Measure Range	.XX	.X
≤6	±0.05	±0.10
6~30	±0.10	±0.20
30~120	±0.15	±0.30
120~400	±0.20	±0.50
400~1000	±0.30	±0.80
1000~2000	±0.50	±1.20
Angle Measure Range	.XX	.X
	±0.5°	±1.0°

DETAILED LISTS	PART NO. : 2202000096	宁波高松电子有限公司 NINGBO DEGSON ELECTRICAL CO., LTD	
	APPD: ZX 20200417	NAME: Vehicle Connector (32A AC three phase)	
	CHD: DT 2020.4.17	MEAC-T-032A-V1-03-5.0M-30AH	
	DRFT: XF LUO 2019-08-06	TITLE: Customer Drawing	REV
	THIRD ANGLE PROJECTION	DRAWING NO.: 22000151	SHEET 1/1
	(INCH)	DO NOT SCALE DRAWING	SCALE 1:3